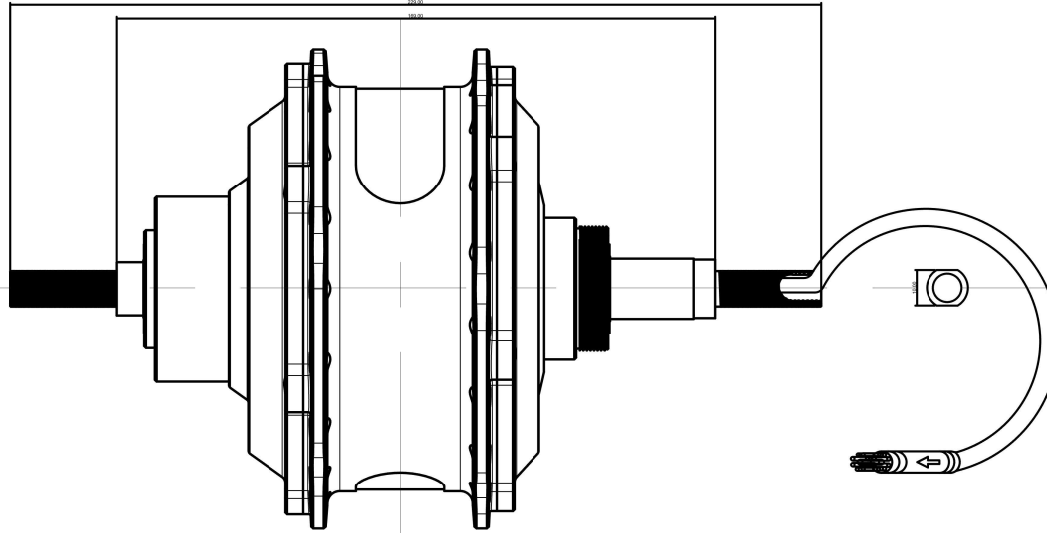
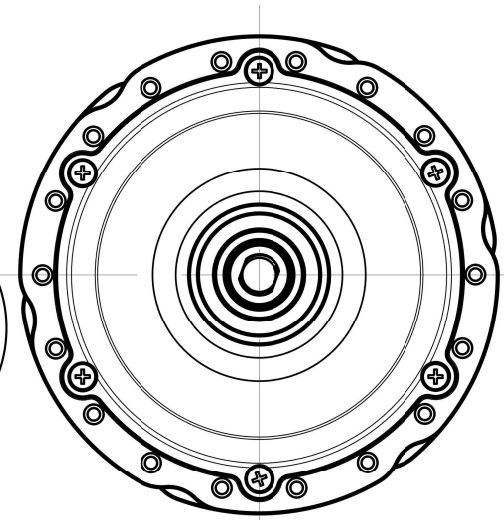


LHS VIEW

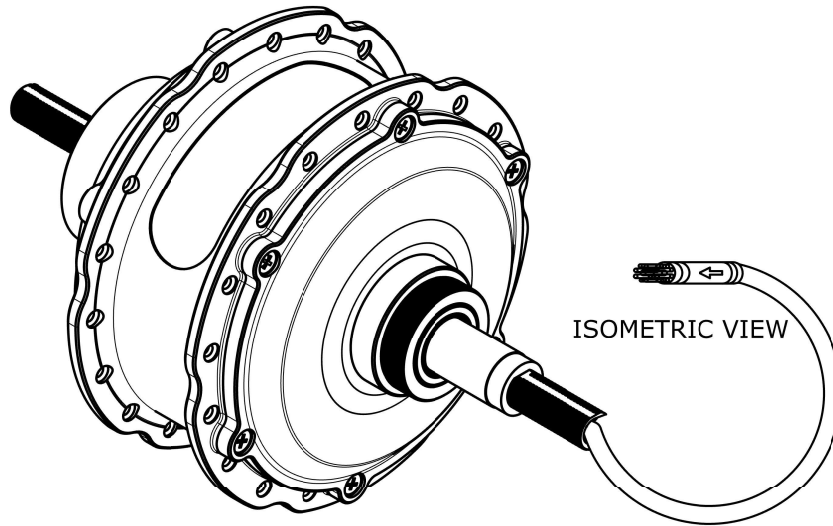


FRONT VIEW



RHS VIEW

**AUTO FOREST**  
FAT DRIVE



ISOMETRIC VIEW