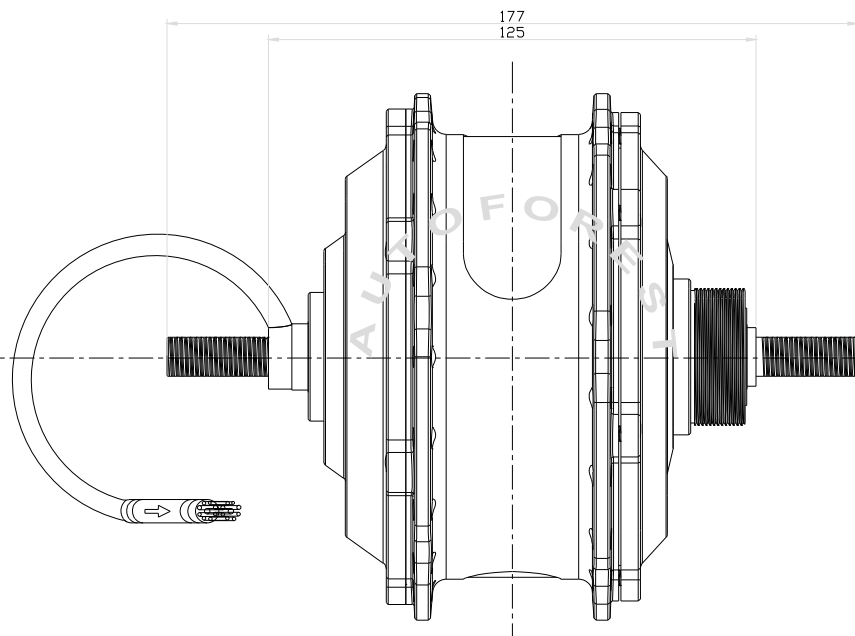
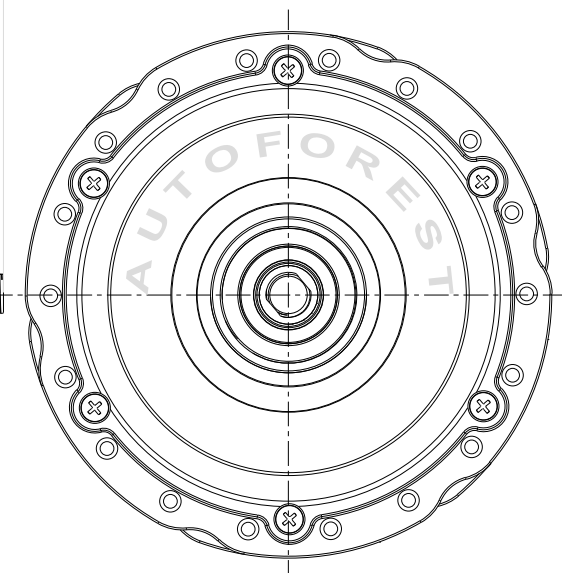


LHS VIEW

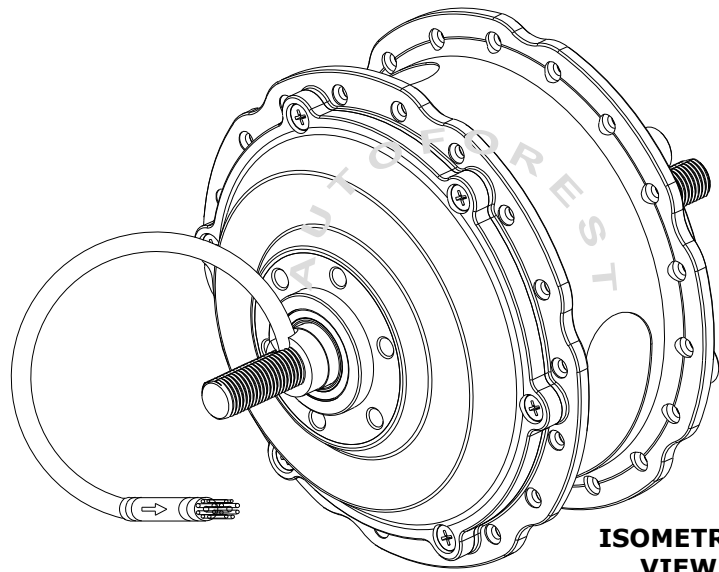


FRONT VIEW



RHS VIEW

**AUTO FOREST**  
SINGLE SPEED



ISOMETRIC VIEW